

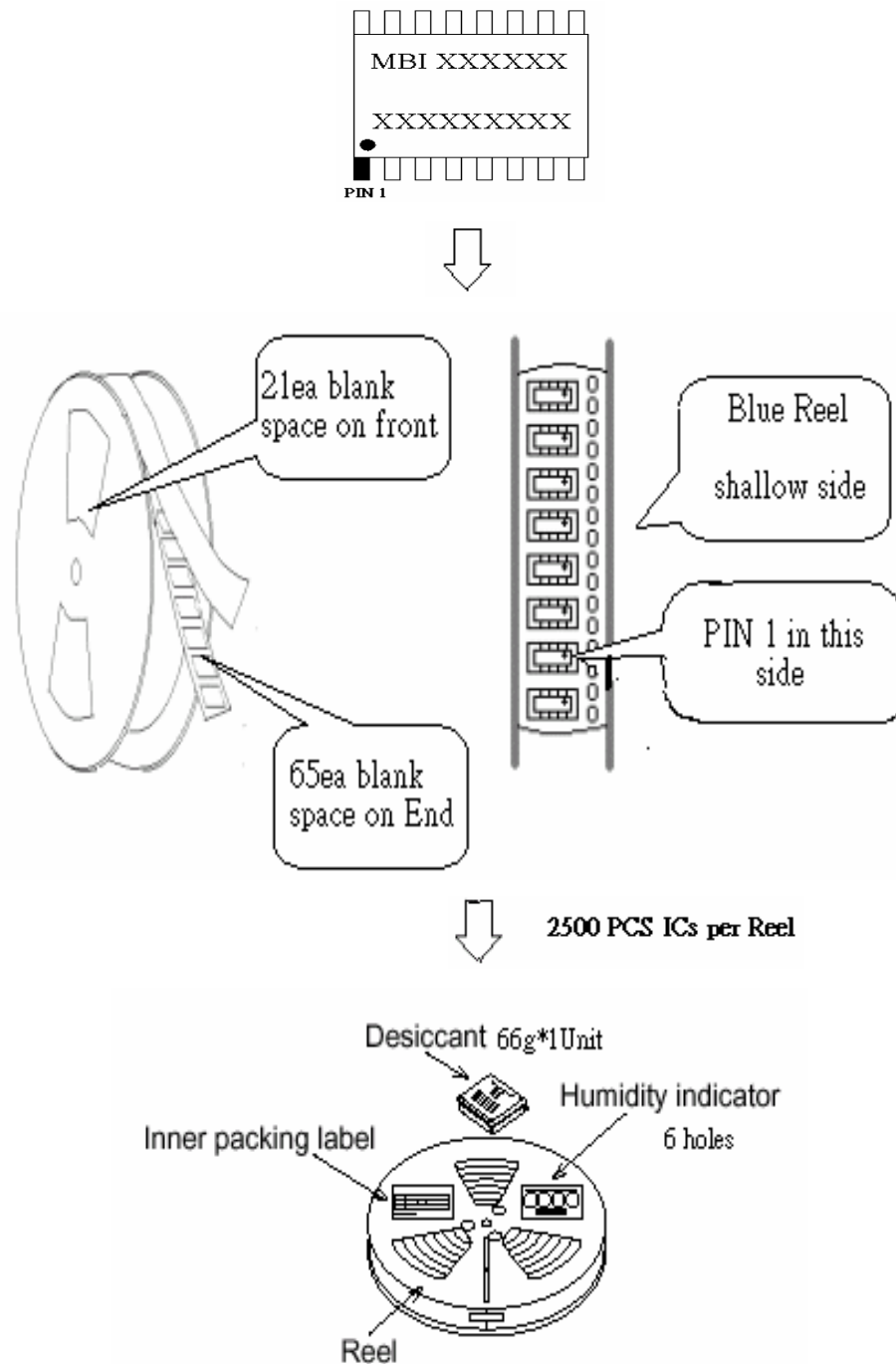


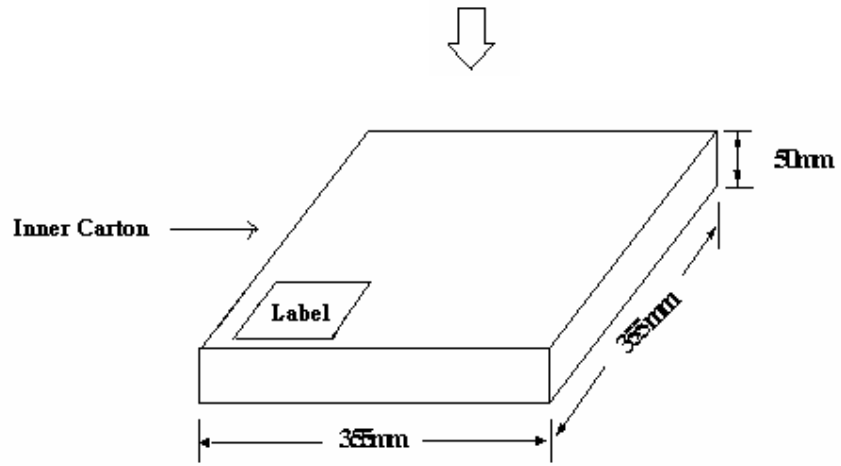
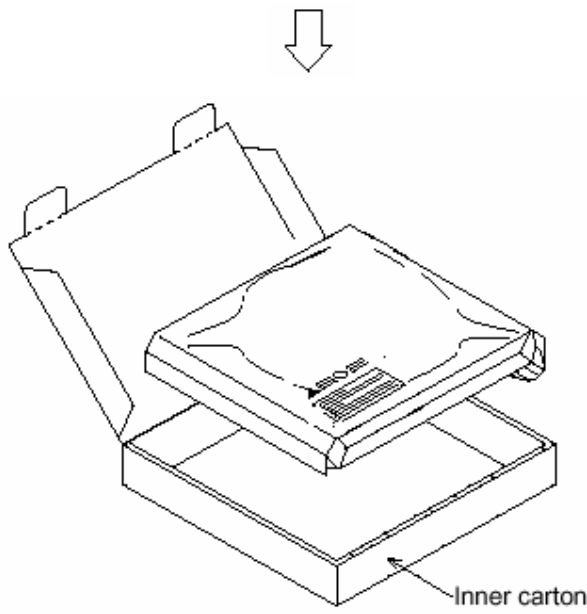
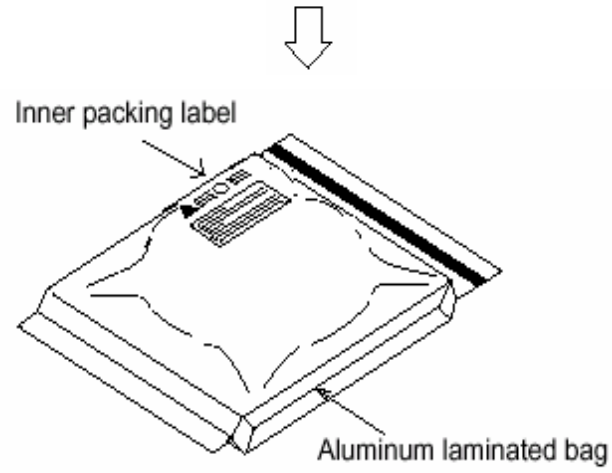
Macroblock, INC, F.6-4 NO. 18, Pu-Ting Rd, Hsin-Chu, Taiwan, R.O.C.
Tel(O):886-3-5790068, Fax (O):886-3-5797534 <http://www.mblock.com.tw>

MBI5170CD Package and Weight

Rev:A

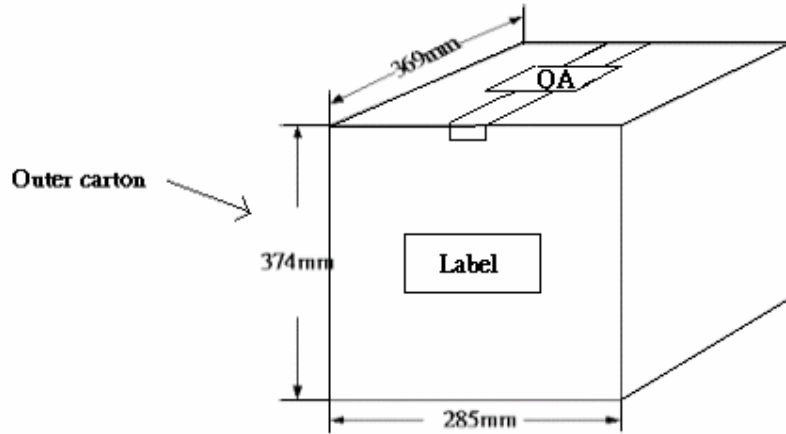
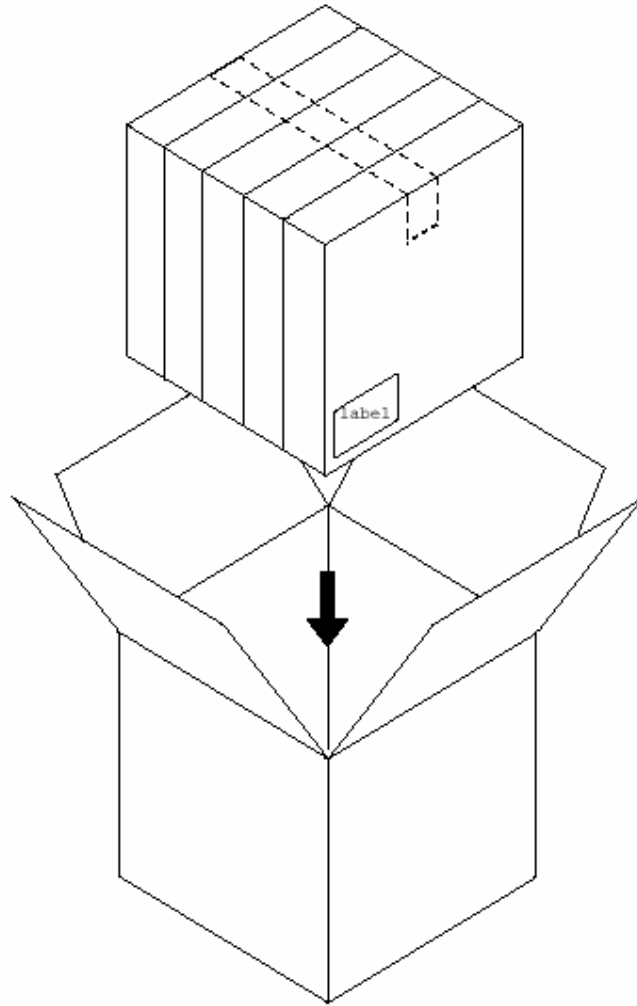
Package







5 Inner carton Per Outer carton



Weight

Item	Description	Weight(Kg)
1	Net Weight of 1 IC	0.000128
2	Net Weight of Inner carton	0.29
3	Net Weight of 5 Inner cartons	1.45
4	Net Weight of Outer carton	0.72
5	Net Weight of Other Materials	0.56
6	Per Inner carton Set (2500PCS)	1.17
7	Per Outer carton Set (5 Inner cartons, 12500 PCS)	6.59