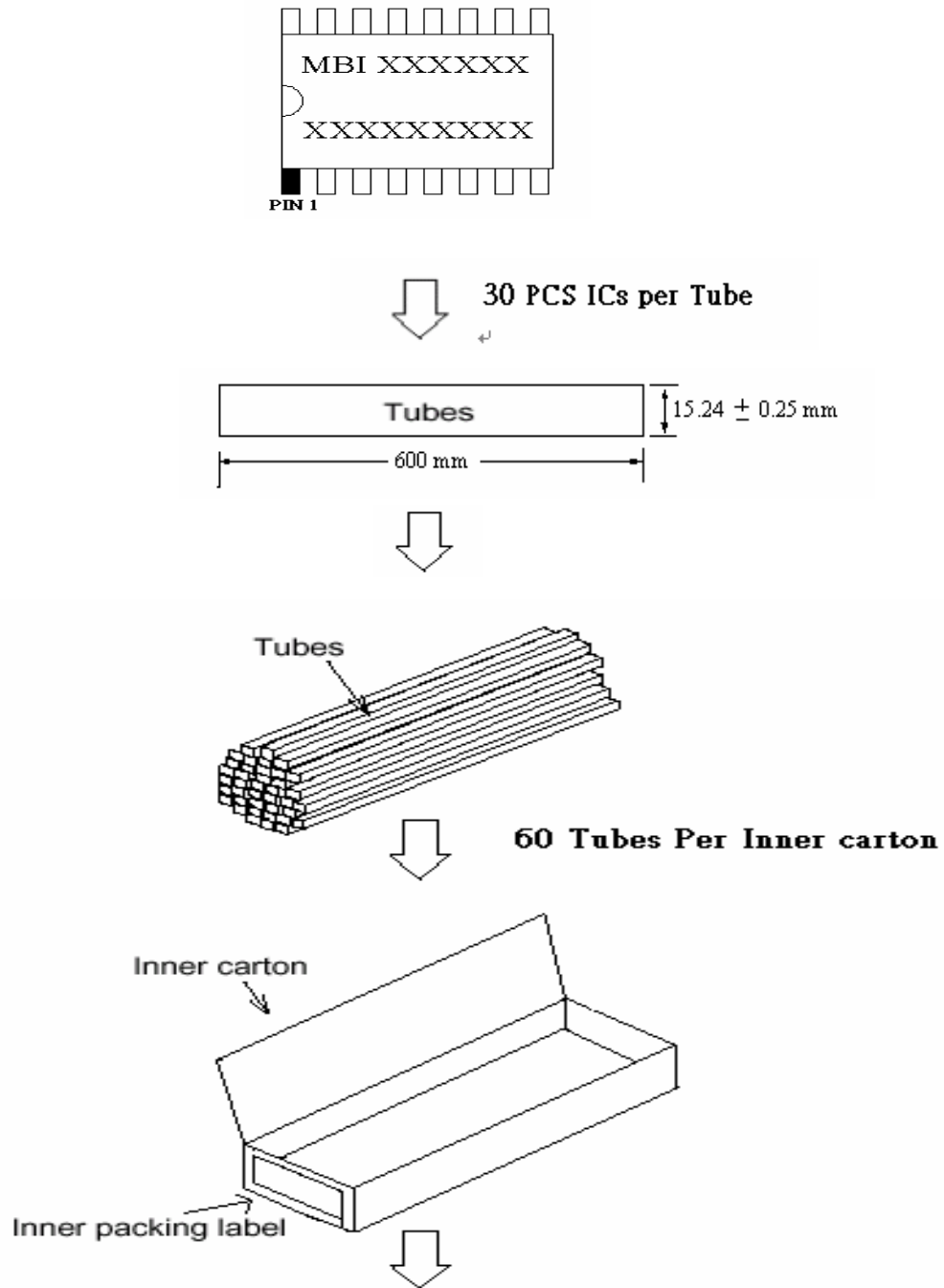


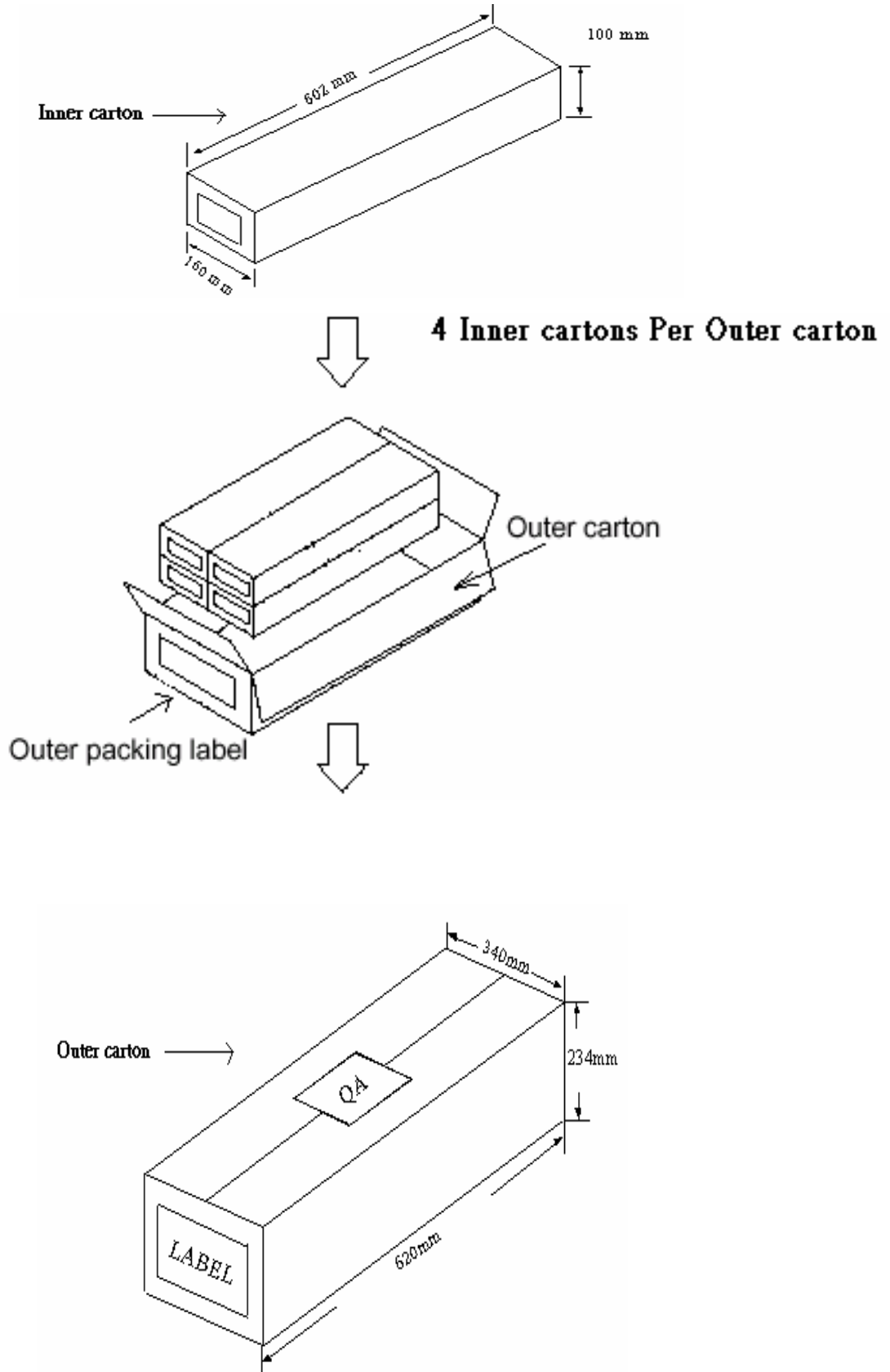


## MBI5168CN Package and Weight

Rev:A

### Package







Macrobloc, INC, F.6-4 NO. 18, Pu-Ting Rd, Hsin-Chu, Taiwan, R.O.C.  
Tel(O):886-3-5790068, Fax (O):886-3-5797534 <http://www.mblock.com.tw>

## Weight

<b>Item</b>	<b>Description</b>	<b>Weight(Kg)</b>
1	Net Weight of 1 IC	0.001021
2	Per Tube with 30PCS	0.06
3	Net Weight of Inner carton	0.45
4	Net Weight of 4 Inner cartons	1.79
5	Net Weight of Outer carton	1.01
6	Per Inner carton Set (1800PCS)	3.83
7	Per Outer carton Set (4 Inner cartons, 7200 PCS)	16.33